

QUALITY FIREPLACES FOR LIFE.

KOZY HEAT FIREPLACES | BIRCHWOOD 20



KOZY HEAT
FIREPLACES

Birchwood 20 shown with a Rectangle screen front, Masonry refractory and Contemporary base

BIRCHWOOD 20

FREE-STANDING GAS STOVE

Birchwood 20 shown with a Prairie screen front, black Enamel refractory, Contemporary base and optional tile frame kit (tile not included)



THE BIRCHWOOD 20

When winter is at its worst, Kozy Heat is at its best. The **Birchwood 20** free-standing gas stove provides the detailing of a woodburning stove, but offers the convenience of gas – available with contemporary styled bases, guaranteed to complement any décor. Take a stand against even the frostiest days of the year with a **Birchwood 20** free-standing gas stove from Kozy Heat!

FIREPLACE OPTIONS, ACCESSORIES & CONTROLS

Fronts



Full Rectangle screen front with Traditional Brick refractory

Prairie screen front with Black Enamel refractory

Arched Mission screen front - Black with Masonry refractory

Base Options



Traditional Legs (Standard)



Pedestal Base

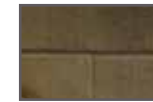


Contemporary Base

Optional Refractory



Traditional Brick



Masonry



Black Enamel

Finish Options



Black

Burn Video



IPI Control

KOMFORT KONTROL



Komfort Kontrol Remote

Millivolt Option Controls



Touch Screen Thermostat Remote Control



Deluxe On/Off Remote



Wired or Wireless Wall Mount Thermostat



Wireless wall switch



Birchwood 20 shown with an Arched Mission screen front, Traditional Brick refractory and Traditional legs base

SPECIFICATIONS

Model	Birchwood 20
Height	
Traditional Legs	30-3/4"
Pedestal & Contemporary Base	35-15/16"
Width	
Traditional Legs	25-15/16"
Pedestal & Contemporary Base	27-3/4"
Depth	17-13/16"
Weight	155 lbs.
Viewing Area	14-1/8" x 20-1/16"
BTU NG High / Low	32,500 / 15,750
BTU LP High / Low	32,500 / 15,750
Efficiencies NG / LP	69.44% / 65.16%
ENERGUIDE P.4 NG / LP	65.83% / 66.04%
Valve System	Millivolt & IPI
Standard Base	Traditional Legs
Optional Bases	Pedestal & Contemporary
Optional Refractory	Traditional Brick, Masonry, Black Enamel
Tile Frame Kit	Optional
Fan Kit	IPI - Standard MV - Optional
Screen Front	Required

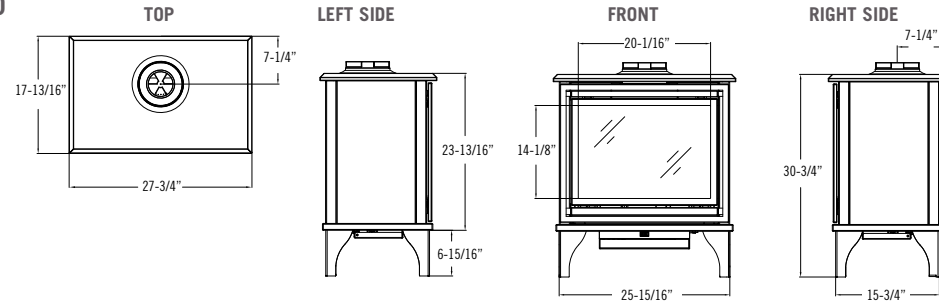
Features, Options & Specifications are subject to change.

Clearances

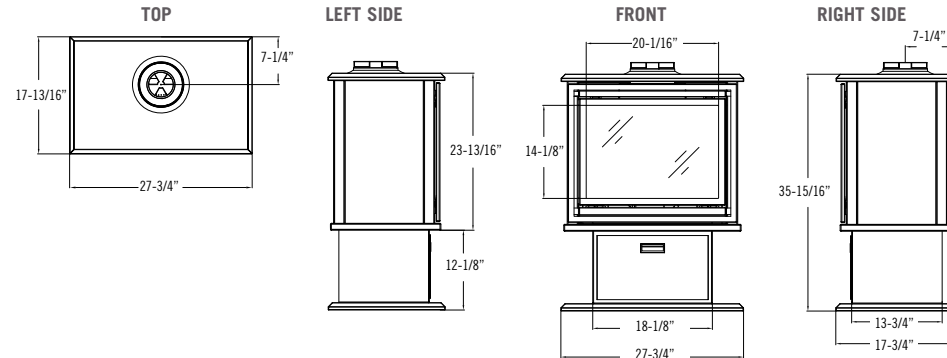
Model	Birchwood 20
From appliance top corner to side wall	1"
From appliance top corner to back wall	5"
From appliance top to ceiling	35-3/4"
From top of horizontal pipe surface to ceiling	3-1/8"

Birchwood 20

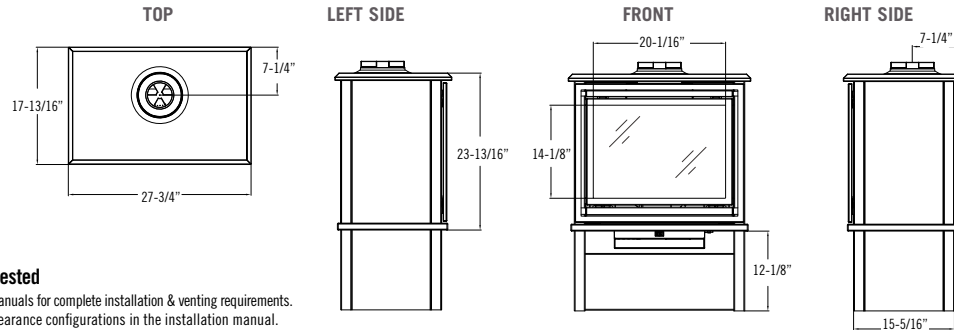
Traditional Legs



Pedestal



Contemporary



Each unit factory tested

Refer to the installation manuals for complete installation & venting requirements. See additional mantel clearance configurations in the installation manual.

Vent System Approval & Requirements

This fireplace is manufactured to accept 4" x 6-5/8" pipe only.

- American Metal Products 4" x 6-5/8"
- BDM 4" x 6-5/8"
- ICC – EXCELDirect – Except CAP TM-4VT 4" x 6-5/8"
- Metal Fab 4" x 6-5/8"
- Olympia Chimney Supply, Inc. 4" x 6-5/8"
- Security 4" x 6-5/8" - Vertical only
- Selkirk 4" x 6-5/8"
- Simpson DuraVent 4" x 6-5/8"

The horizontal heat shield included with this fireplace must be installed when incorporating minimum horizontal venting

Elbows: For each additional 90° elbow used after the first elbow, 3' must be subtracted from the maximum venting allowed. For each additional 45° elbow used after the first elbow, 1-1/2" must be subtracted from the maximum venting allowed.

Note: (2) 45° elbows = (1) 90° elbow

Maximum number of elbows for ALL vent configurations = 5

Horizontal Terminations: Venting configurations vary between NG & LP Gas, please consult the installation manual for requirements.

Vertical Terminations:

Minimum: 3' Maximum: 50'

Horizontal/Vertical Combo: Venting configurations vary between NG & LP Gas, please consult the installation manual for requirements.

In order to continually provide the highest quality product available, features/options, specifications & dimensions are subject to change. Refer to the unit installation manual for complete installation instructions. Installation must conform with local building codes. **In some regions it may be possible that this appliance qualifies for an energy rebate. See your local dealer for details regarding promotions and qualifications.**

Product Line:



For complete information on the Kozy Heat product line, please contact us at:

Manufactured by Hussong Mfg. Co., Inc.
204 Industrial Park Drive, Lakefield, MN 56150
Phone 1-800-253-4904 www.kozyheat.com

9-15

